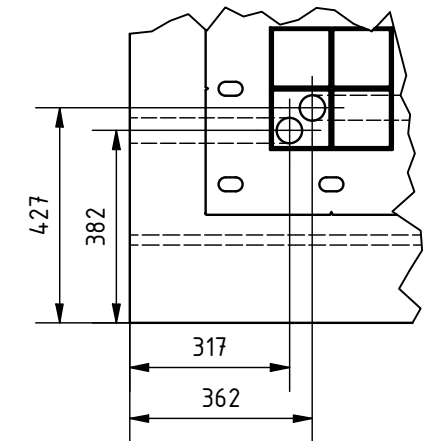
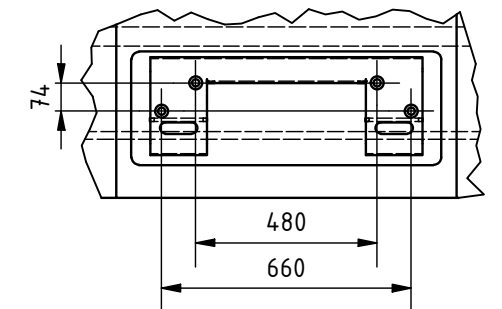


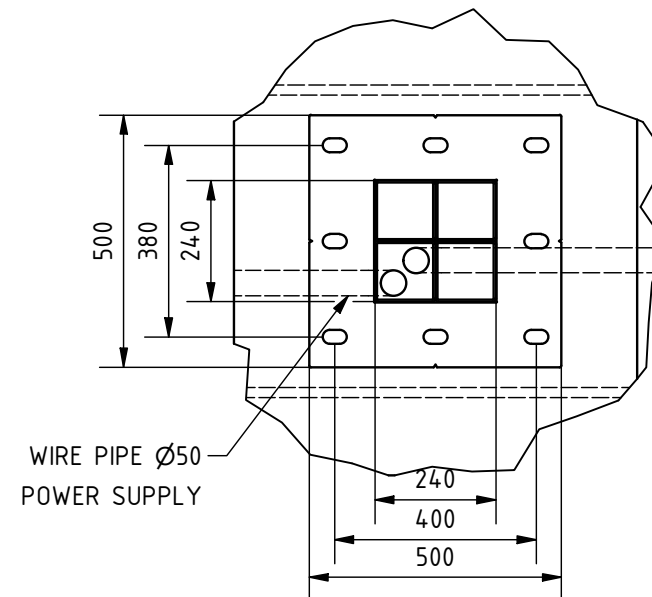
A (1:15)



B (1:20)



C (1:15)



Remarks:

1. All dimensions in mm.
2. Prepare foundation with concrete class C25. Concrete must be reinforced with reinforcement bars or fibres and flat on top.
3. For gate installation put gateposts baskets inside concrete or use anchors M24x400 or longer. Anchors must be over concrete surface between 70 - 100 mm .
4. Placing gate on or in foundation depending on detailed gate size - to be chosen on installation site.
5. Ground catcher should be mounted after gate instalation.
6. This is suggested foundation plan. Dimensions, reinforcement, anchoring.

		Remarks			
		Designed by G.Stoma	Scale 1 : 25	Format A3	Data 24.08.2023
Edited by		Height ---	Width ---	Material ---	Mass ---
Number 06012.0000		Drawing Frigg 2W 11000 Foundation			Rev. A