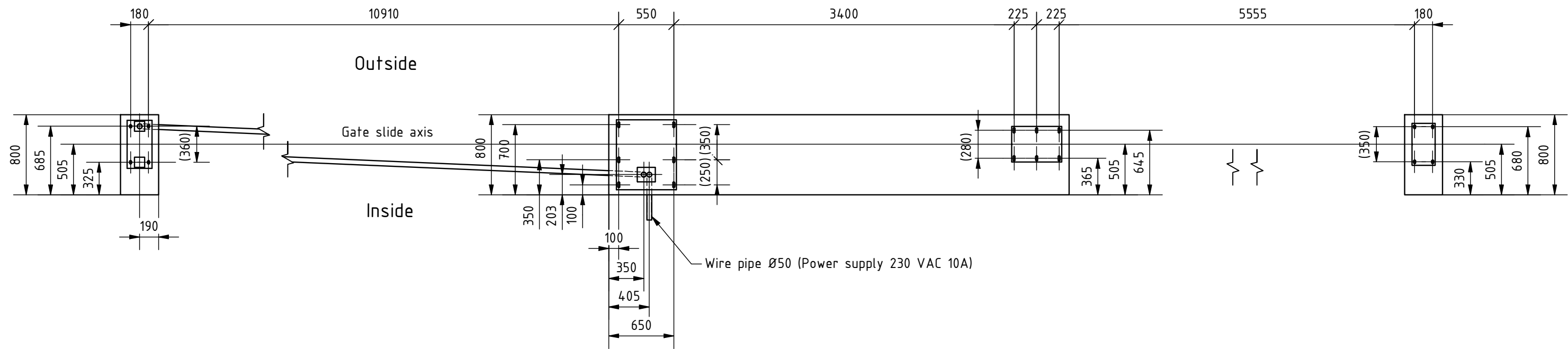
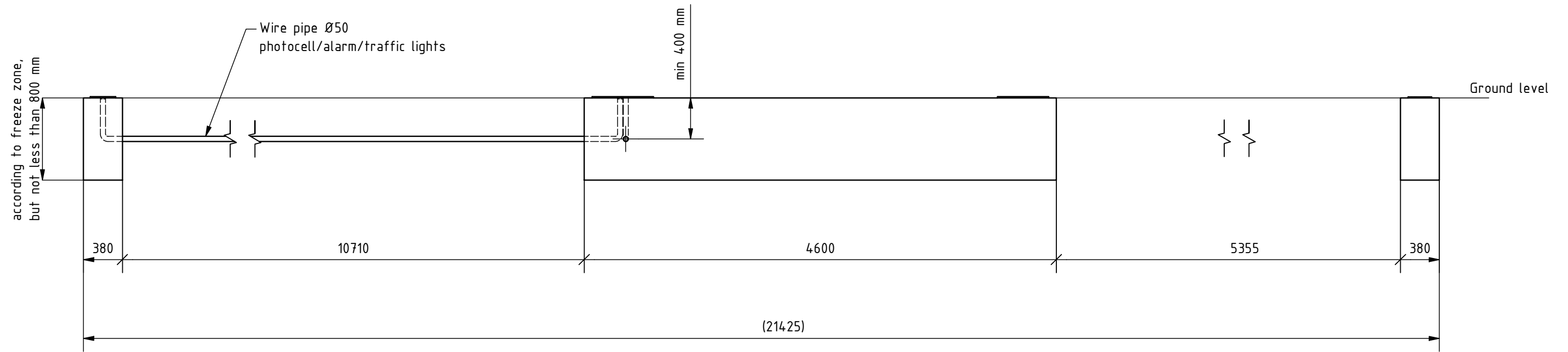


Remarks:

1. All dimensions in mm.
2. Side view of foundations is from inside of property.
3. Prepare foundation with concrete class C25. Concrete must be reinforced with fibres/rebars and flat on top.
4. Expected concrete capacity 3,5 m³.
5. For gate installation use chemical anchors M16x300 (20 pcs.) or longer. Anchors must be minimum 80 mm over concrete surface. Minimum drilling depth 200 mm. For installation follow Fisher System rules.
6. This is suggested foundation plan. Demensions, reinforcment, anchoring.

| | | | | | |
|--------------------|--|--|-----------------|--------------|--------------------|
| | | Remarks | | | |
| | | Designed by A. Knauber | Scale 1 : 40 | Format A3 | Data 24.11.2021 |
| Edited by | | Height | Width | Material | Mass |
| Number S.003049 | | Drawing Foundation plan Magni 11000 L | | | Rev. A |



Remarks:

1. All dimensions in mm.
2. Side view of foundations is from inside of property.
3. Prepare foundation with concrete class C25. Concrete must be reinforced with fibres/rebars and flat on top.
4. Expected concrete capacity 3,5 m³.
5. For gate installation use chemical anchors M16x300 (20 pcs.) or longer. Anchors must be minimum 80 mm over concrete surface. Minimum drilling depth 200 mm. For installation follow Fisher System rules.
6. This is suggested foundation plan. Demensions, reinforcment, anchoring.

| | | | | | |
|--------------------|--|--|-----------------|--------------|--------------------|
| | | Remarks | | | |
| | | Designed by A. Knauber | Scale 1 : 40 | Format A3 | Data 24.11.2021 |
| Number S.003049 | | Height | Width | Material | Mass |
| | | Drawing Foundation plan Magni 11000 L | | | Rev. A |