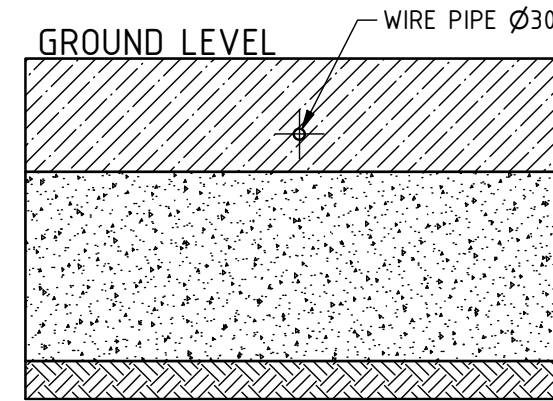
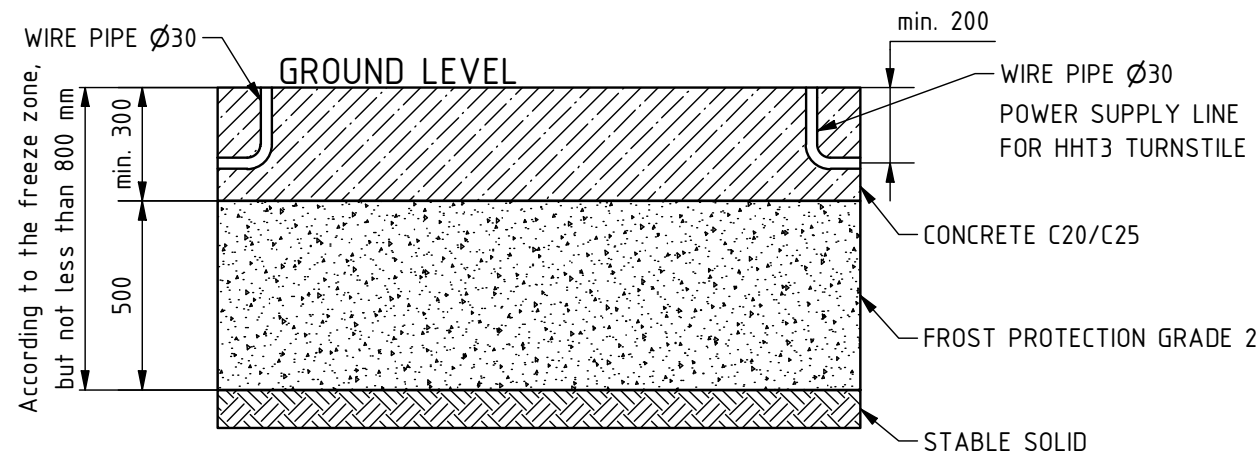
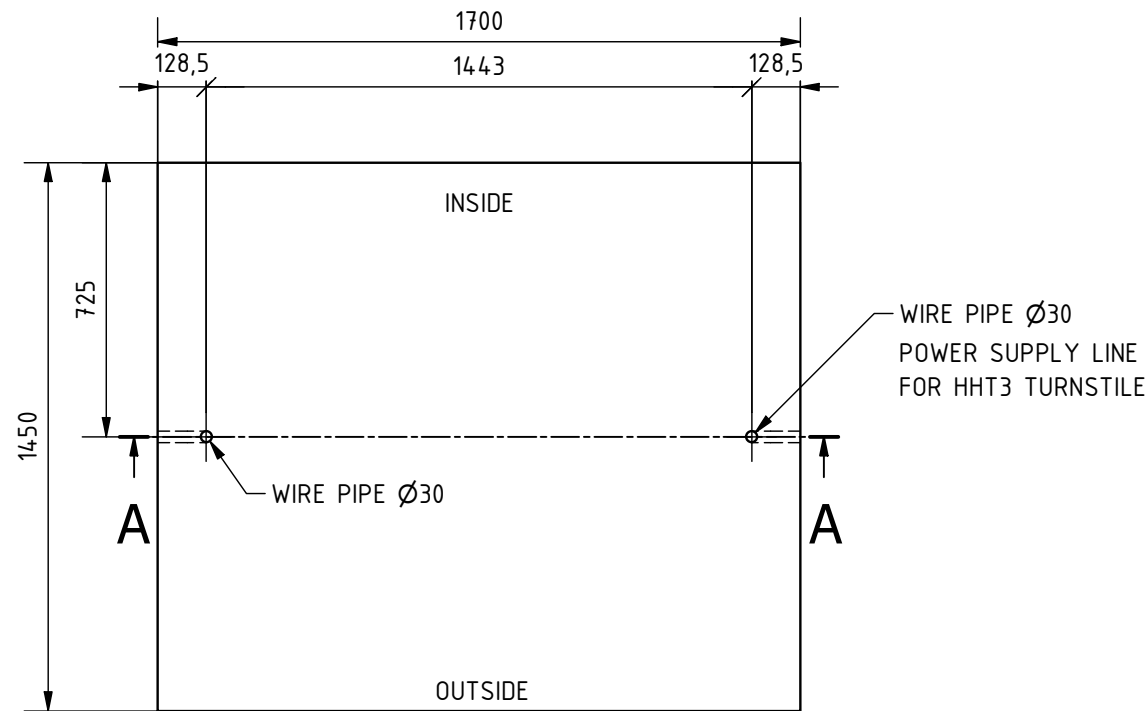


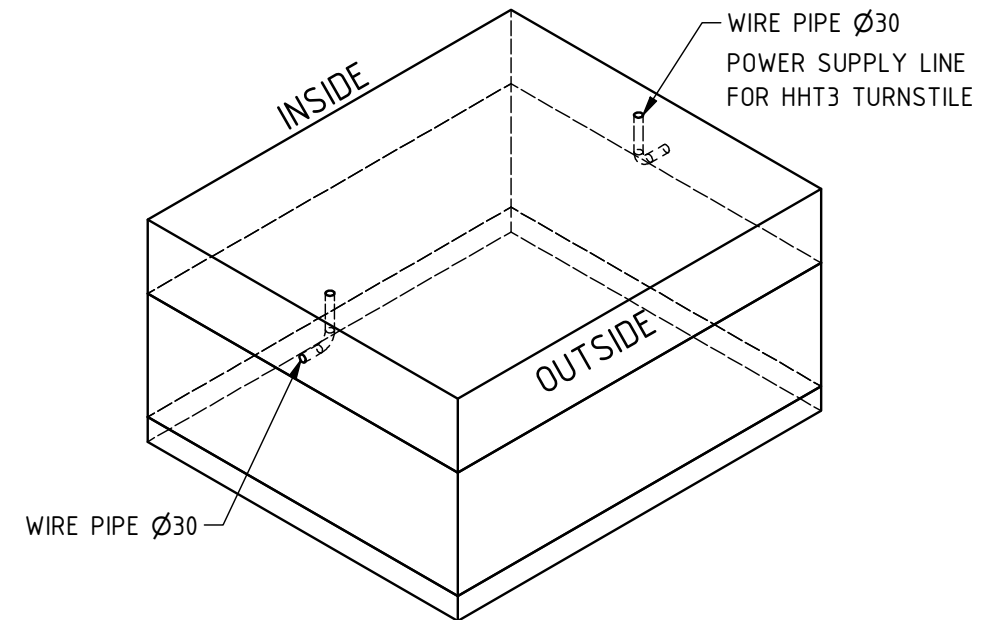
A-A ( 1 : 20 )



TOP VIEW ( 1 : 20 )



3D VIEW ( 1 : 25 )



Remarks:

1. All dimensions in mm.
2. Main view is top view of foundation.
3. Prepare foundation with concrete class C20/C25.
4. Concrete must be reinforced with fibers/rebars and flat on the top.
5. Constructive reinforcement crosswise brackets d=8mm, a=150 mm.
6. Power supply: 230V AC, 50Hz.
7. Power supply line min. 3x2.5 mm<sup>2</sup>, depending on the length of the cable.
8. This is suggested foundation plan.

Index

	CONCRETE C20/C25
	FROST PROTECTION GRADE 2
	STABLE SOLID

	Remarks				
	Designed by G.Janik	Scale 1 : 20	Format A3	Data 03.10.2025	Sheet number 1/1
Edited by ---	Height ---	Width ---	Material ---	Mass ---	
Number S.007982	Drawing HHT3 Foundation Plan			Rev. A	