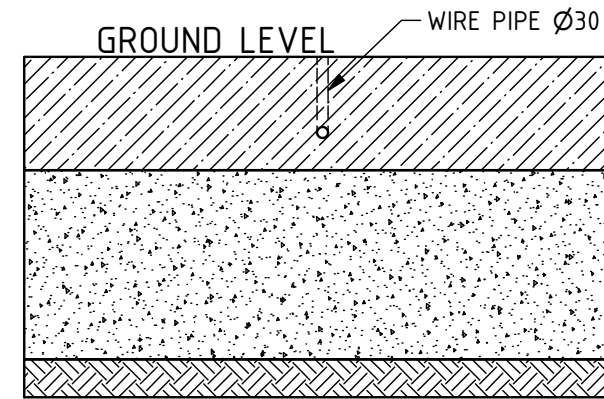
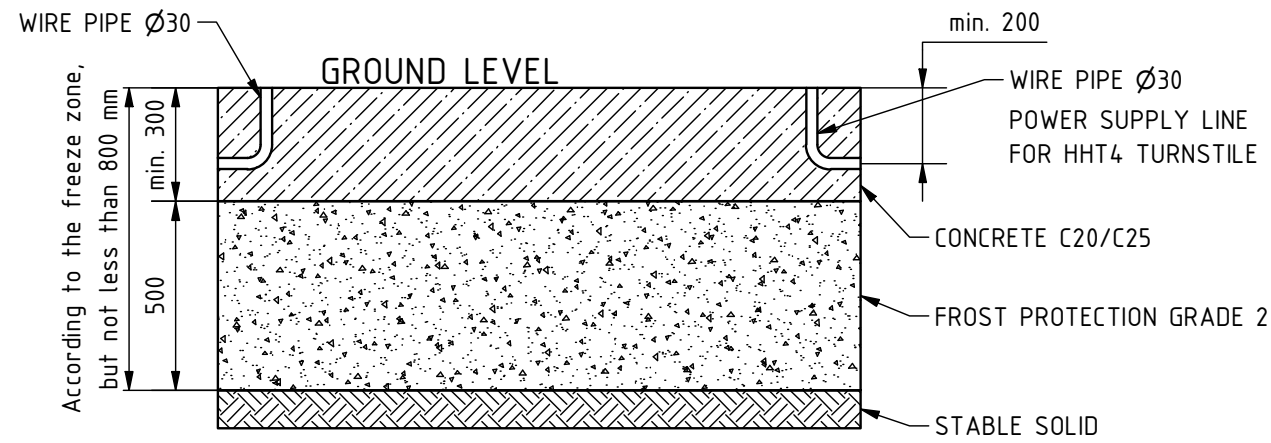
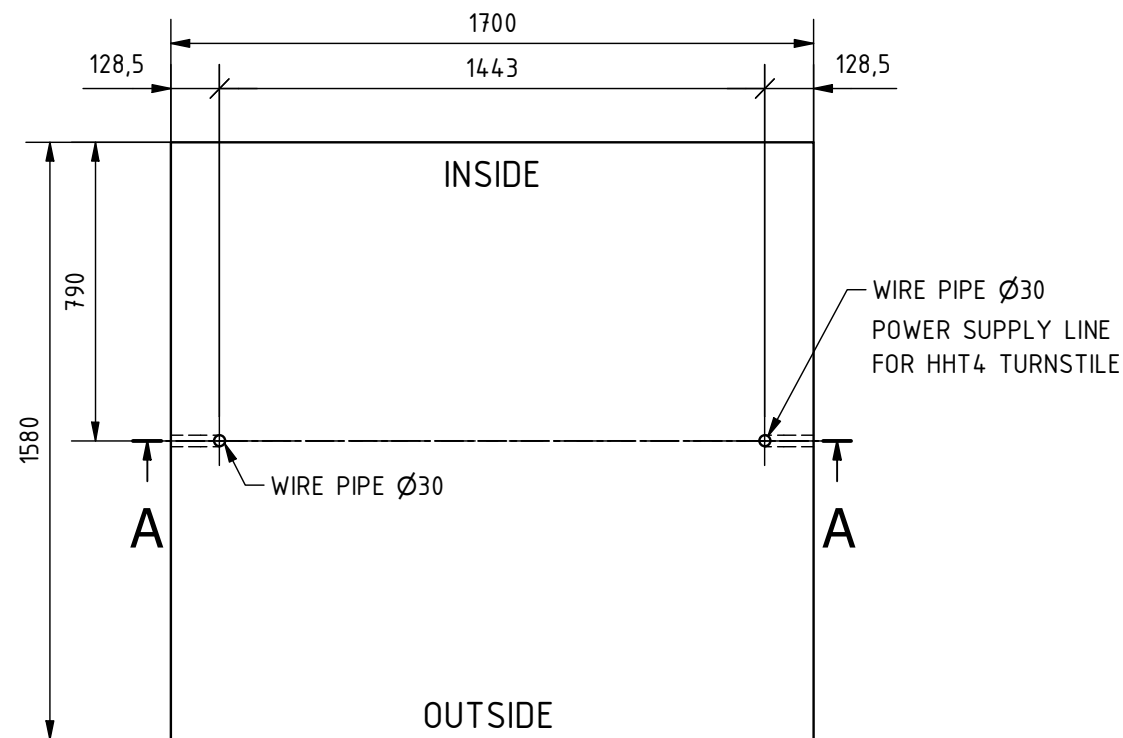


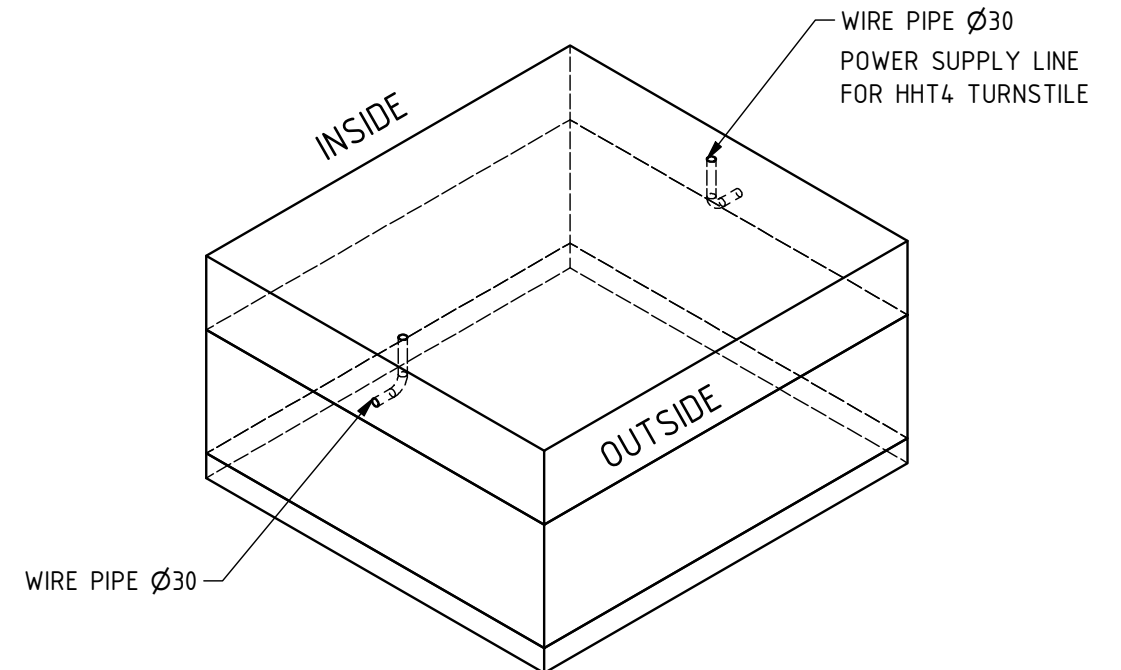
A-A (1 : 20)



TOP VIEW (1 : 20)




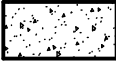

3D VIEW (1 : 25)




Remarks:

1. All dimensions in mm.
2. Main view is top view of foundation.
3. Prepare foundation with concrete class C20/C25.
4. Concrete must be reinforced with fibers/rebars and flat on the top.
5. Constructive reinforcement crosswise brackets d=8mm, a=150 mm.
6. Power supply: 230V AC, 50Hz.
7. Power supply line min. 3x2.5 mm², depending on the length of the cable.
8. This is suggested foundation plan.

Index:

-  CONCRETE C20/C25
-  FROST PROTECTION GRADE 2
-  STABLE SOLID

	Remarks				
	Designed by G.Janik	Scale 1 : 20	Format A3	Data 18.03.2026	Sheet number 1/1
Edited by	Height ---	Width ---	Material ---	Mass ---	
Number S.007992	Drawing HHT4 Foundation Plan			Rev. A	